

Mathematics Revision

Grade 2: Term 1 & 2

DAILY ACTIVITIES: (refer to flip-file)

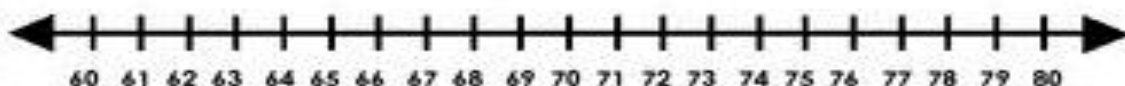
1. Counting forwards and backwards from 0-150 in 1's, 2's, 3's, 4's, 5's, 10's.
2. Bonds up to 15.
3. Time tables (1x - 5x).

NUMBER OPERATIONS

1. Fill in the numbers that come before, after or between:

	59	
49		51
	32	
19		21

2. Use the number line to complete the answers below:



5 more than 70 is _____

10 less than 75 is _____

2 more than 66 is _____

3 less than 77 is _____

$64 + 13 =$ _____

$79 - 14 =$ _____

$62 + 12 - 9 =$ _____

3. Place Value:

$4T + 7U =$ _____

_____T + _____U = 50

$6U + 3T =$ _____

11 = _____T + _____U

4. Value: Give the value of the underlined digit (how much is it worth?)

$4\underline{3} = \underline{\quad}$

$\underline{1}9 = \underline{\quad}$

$\underline{2}1 = \underline{\quad}$

$3\underline{0} = \underline{\quad}$

5. Break up: eg. $22 = 20 + 2$

$45 = \underline{\quad} + \underline{\quad}$

$15 = \underline{\quad} + \underline{\quad}$

$34 = \underline{\quad} + \underline{\quad}$

$42 = \underline{\quad} + \underline{\quad}$

6. Doubling and Halving:

eg. double 13

$\text{double } 10 = 20$

$\text{double } 3 = 6$

$20 + 6 = 26$

eg. half of 26

$\text{half of } 20 = 10$

$\text{half of } 6 = 3$

$10 + 3 = 13$

$\text{double } 34 = \underline{\quad}$

$\text{half of } 48 = \underline{\quad}$

7. Repeated Addition



$\underline{\quad} + \underline{\quad} + \underline{\quad} + \underline{\quad} + \underline{\quad} + \underline{\quad} = \underline{\quad}$

$\underline{\quad} \times \underline{\quad} = \underline{\quad}$

A duck has 2 legs. How many legs do 9 ducks have?

Draw:

Sum: _____

Story: _____

8. Sharing

Old MacDonald has 18 sheep. He wants to give his 3 sons an equal number of sheep. How many sheep will each son get?

Draw:

Each son will get _____

9. Money

Draw coins and notes to make up the following amounts:

R50	
R25	
R12,50	

A burger costs R12,00 and a bottle of water costs R10,00 at the tuckshop. How much will my lunch cost me?

Sum: _____

Story: _____

10. Fractions

Match the fraction to the correct diagram:



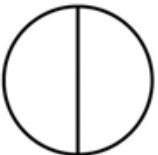
halves



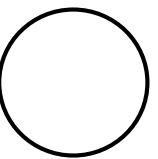
whole



quarters



thirds

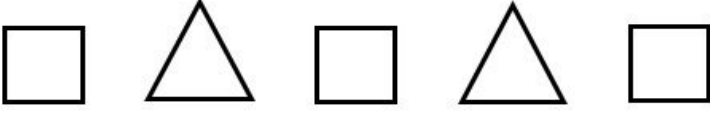
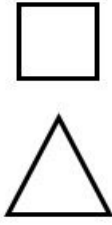



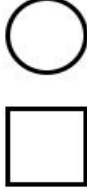


fifths

PATTERNS, FUNCTIONS AND ALGEBRA

1. Geometric Patterns

Look at the patterns. Color to show which shapes come next.

2. Number Patterns: Complete the patterns below



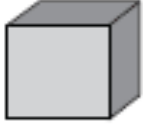



2	4	6	8		12
3	5	7			13
8	11		17	20	
18	15			6	3
75	72			63	60

SPACE AND SHAPE









Name of Solid Shapes

A) Choose the correct name of each shape.

1)  <input type="checkbox"/> Rectangular prism <input type="checkbox"/> Cylinder <input type="checkbox"/> Cone	2)  <input type="checkbox"/> Pyramid <input type="checkbox"/> Sphere <input type="checkbox"/> Cone
3)  <input type="checkbox"/> Cube <input type="checkbox"/> Rectangular prism <input type="checkbox"/> Cylinder	4)  <input type="checkbox"/> Cylinder <input type="checkbox"/> Sphere <input type="checkbox"/> Cube
5)  <input type="checkbox"/> Rectangular prism <input type="checkbox"/> Cylinder <input type="checkbox"/> Pyramid	6)  <input type="checkbox"/> Cube <input type="checkbox"/> Rectangular prism <input type="checkbox"/> Cone

B) Choose the correct choice that best describes each object.

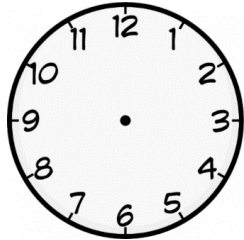
1)  <input type="checkbox"/> Pyramid <input type="checkbox"/> Cylinder <input type="checkbox"/> Cone	2)  <input type="checkbox"/> Sphere <input type="checkbox"/> Cube <input type="checkbox"/> Cylinder
3)  <input type="checkbox"/> Rectangular prism <input type="checkbox"/> Cube <input type="checkbox"/> Pyramid	4)  <input type="checkbox"/> Cone <input type="checkbox"/> Rectangular prism <input type="checkbox"/> Cube
5)  <input type="checkbox"/> Cone <input type="checkbox"/> Cylinder <input type="checkbox"/> Sphere	6)  <input type="checkbox"/> Pyramid <input type="checkbox"/> Rectangular prism <input type="checkbox"/> Cone

MEASUREMENT

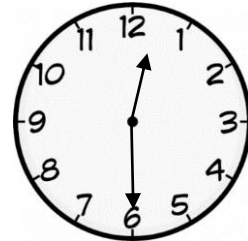
Time:

Draw hands to show:

12 o'clock



Write the time shown below:



SYMMETRY

Draw a line of symmetry on the following shapes:

